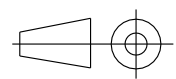
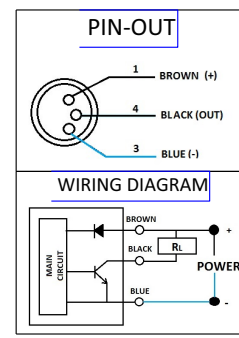
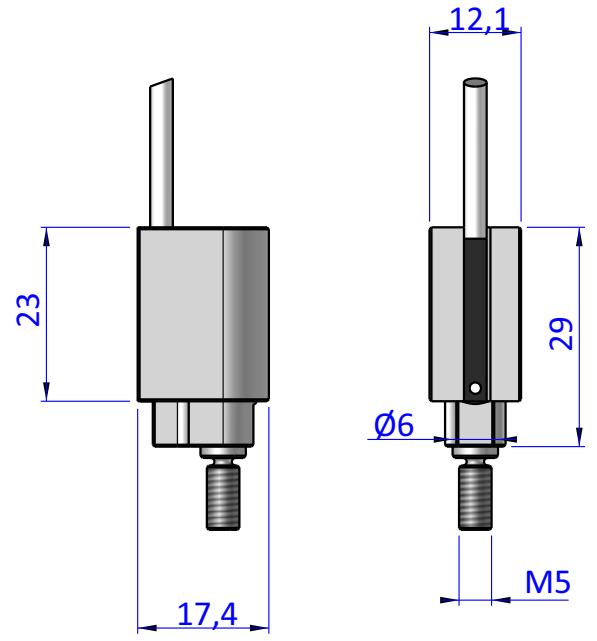
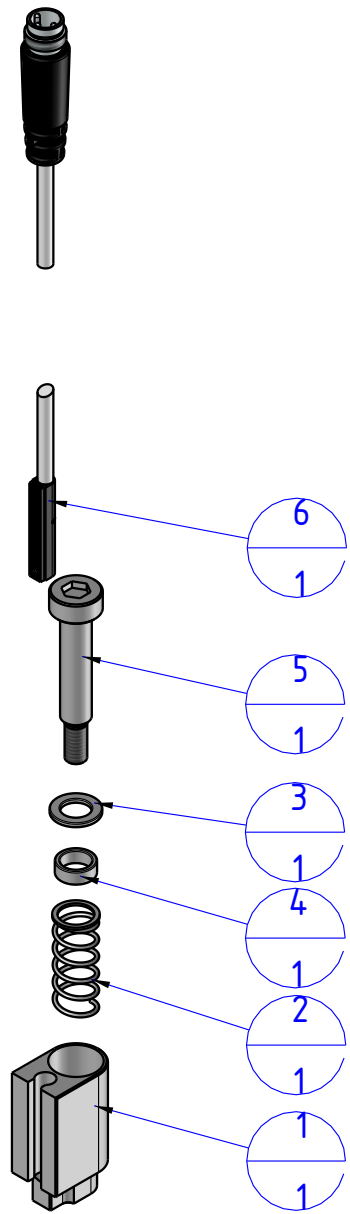
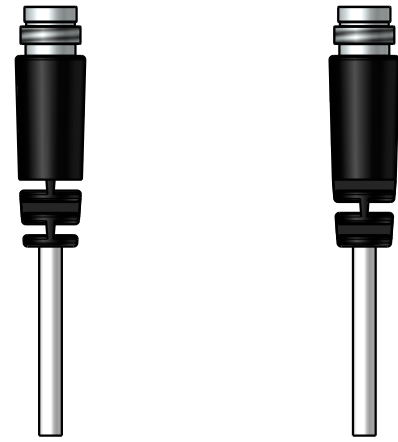


THE PROPERTY OF THE DRAWING IS ESTABLISHED BY LAW. IT IS FORBIDDEN TO PRODUCE OR SHOW IT TO THIRD PART. WITHOUT A WRITTEN AGREEMENT.

Item	Name	Q.ty
1	CUXY.90.7	1
2	DIM.D11760	1
3	CUXY.90.9	1
4	CUXY.90.10	1
5	V.UMB.06.25.M5	1
6	KT58NM8	1



DESIGNED FROM		REVIEW
FPS Automation		A
DATE	WEIGHT	
03/03/2021	0,017kg	
CODE		
CA.CUDL.02		

Format A4  
UNI 936-76

GENERAL TOLERANCE  
UNI - ISO 2768  
CLASSE f

DESCRIPTION  
CA.CUDL.02